



Canadian Intellectual Property Office

- [Français](#)
- [Home](#)
- [Contact Us](#)
- [Help](#)
- [Search](#)
- [canada.gc.ca](#)

[Home](#) > [CPD](#) > Patent Summary

- **Industry Canada**

- [Industry Canada](#)

- **CIPO**

- [About Us](#)
- [Home](#)
- [Patents Main Page](#)
- [International IP Links](#)

- **Canadian Patents Database**

- [Canadian Patents Database Main Page](#)
- [Green Technologies](#)
- [Search Options](#)
 - [Basic](#)
 - [Number](#)
 - [Boolean](#)
 - [Advanced](#)

- [Help](#)

- [General Content](#)
- [Searching](#)
- [Search Language](#)
- [FAQ](#)

- [Disclaimer](#)

- **CIPO Database Links**

- [Decisions of the Commissioner of Patents](#)
- [Canadian Trade-marks Database](#)
- [Canadian Copyrights Database](#)
- [Canadian Industrial Designs Database](#)

- **Proactive Disclosure**

- [Proactive Disclosure](#)

Canadian Patents Database

Patent Summary

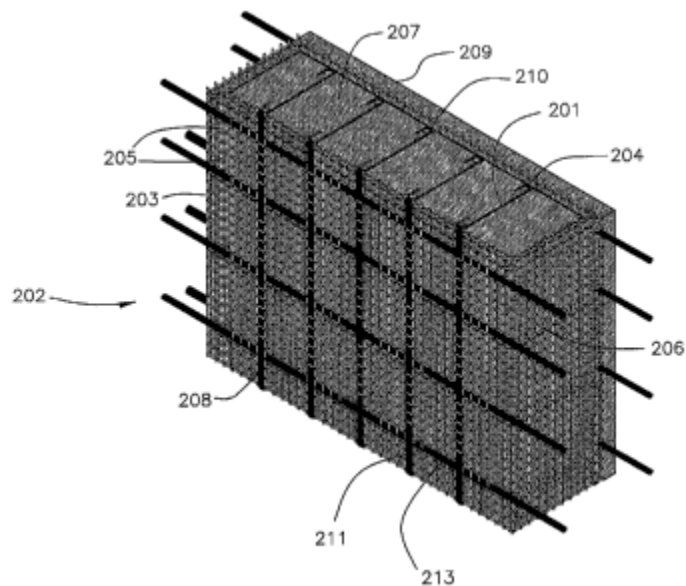
(12) Patent Application: [\(11\) CA 2628046](#)

(54) English Title: PROTECTIVE STRUCTURE AND PROTECTIVE SYSTEM

(54) French Title: STRUCTURE PROTECTRICE ET SYSTEME PROTECTEUR

- [Abstract](#)
- [Patent Details](#)
- [View or Download Images](#)
- [View Administrative Status](#)
- [Show all claims](#)

Representative Drawing



[Top of Page](#)

Abstracts

[Third-party disclaimer](#)

English Abstract

A protective structure for protecting buildings, bridges, roads and other areas from explosive devices such as car bombs and the like comprises: (a) a mesh structure having an outer surface and an inner surface, wherein the inner surface defines an annular space; (b) a plurality of structural steel cables in contact with the mesh structure; (c) a composite fill material which resides within the annular space of the mesh structure and within the mesh structure; (d) at least one reinforcement member which resides within the composite fill material; and (e) a composite face material which resides upon the outer surface of the mesh structure. The mesh structure may be made up of, for example, steel wire. A protective system for protecting buildings, bridges, roads and other areas from explosive devices such as car bombs and the like comprises a plurality of the above described protective structures and a plurality of support members, wherein the support members provide interlocking engagement of the protective structures to the support members.

French Abstract

L'invention concerne une structure protectrice conçue pour protéger des bâtiments, ponts, routes et autres lieux d'engins explosifs tels que des voitures piégées, ladite structure comprenant : (a) une structure treillis présentant une surface extérieure et une surface intérieure, ladite surface intérieure définissant un espace annulaire ; (b) une pluralité de câbles en acier de construction au contact de la structure treillis ; (c) un matériau de remplissage composite situé à l'intérieur de l'espace annulaire et de la structure treillis ; (d) au moins un élément de renfort situé à l'intérieur du matériau de remplissage composite ; et (e) un matériau de parement composite situé sur la surface extérieure de la structure treillis. La structure treillis peut être constituée, par exemple, de fils d'acier. L'invention concerne également un système protecteur conçu pour protéger des bâtiments, ponts, routes et autres lieux d'engins explosifs tels que des voitures piégées, ledit système comprenant une pluralité de structures protectrices susmentionnées et une pluralité d'éléments de support, lesdits éléments de support s'accrochant aux structures protectrices.

▲
[Top of Page](#)

Patent Details

[\(51\) International Patent Classification \(IPC\):](#)

- *F41H 5/02* (2006.01)

(72) Inventors (Country): • AHMAD, JAMEEL (United States of America)

(73) Owners (Country): • THE COOPER UNION FOR THE ADVANCEMENT OF SCIENCE AND ART (United States of America)

(71) Applicants (Country): • THE COOPER UNION FOR THE ADVANCEMENT OF SCIENCE AND ART (United States of America)

(74) Agent: GOWLING LAFLEUR HENDERSON LLP

(45) Issued:

(86) PCT Filing Date: 2006-10-23

(87) PCT Publication Date: 2008-04-03

Examination requested: 2011-09-28

(30) Availability of licence: N/A

(30) Language of filing: English

Patent Cooperation Treaty (PCT): Yes

(86) PCT Filing Number: PCT/US2006/041353

(87) International Publication Number: WO2008/039213

(85) National Entry: 2008-04-10

(30) Application Priority Data:

Application No.	Country	Date
11/291,656	United States of America	2005-11-30

▲
[Top of Page](#)

View or Download Images

Click on a link under View Patent Image to view a section of the image or click on a link under Download Patent Image in PDF format to download a section of the image in PDF format.

If you have any difficulty accessing content, you can call the Client Service Centre at 1-866-997-1936 or send them an e-mail at [CIPO Client Service Centre](#).

[Third-party disclaimer](#)

View Patent Image	Download Patent Image in PDF Format	Size of Image (KB)	Number of Pages
Cover Page	Cover Page	133	2
Abstract	Abstract	114	1
Claims	Claims	151	6
Description	Description	619	16
Drawings	Drawings	414	8
Representative Drawing	Representative Drawing	84	1

[PDF Readers.](#)